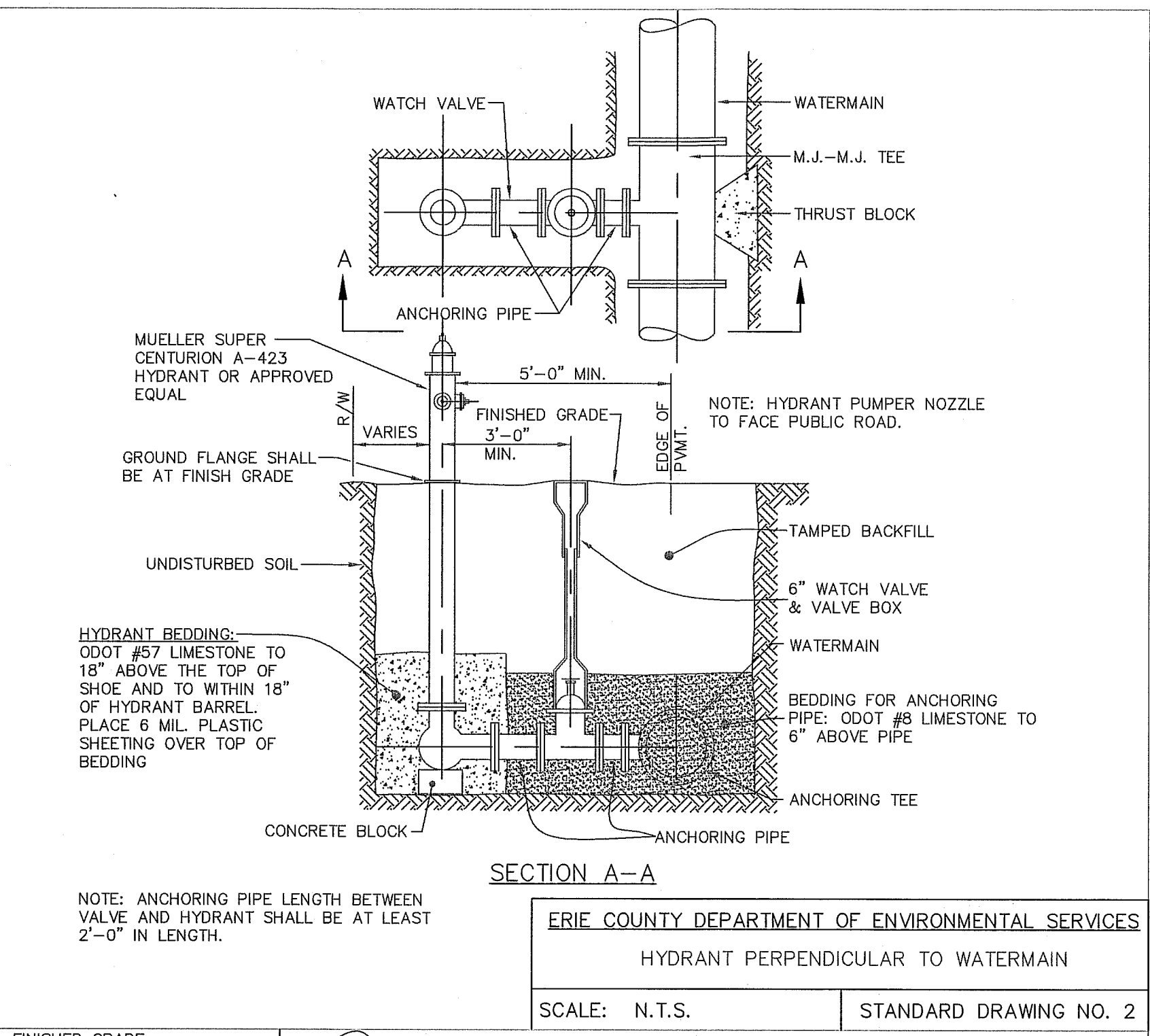
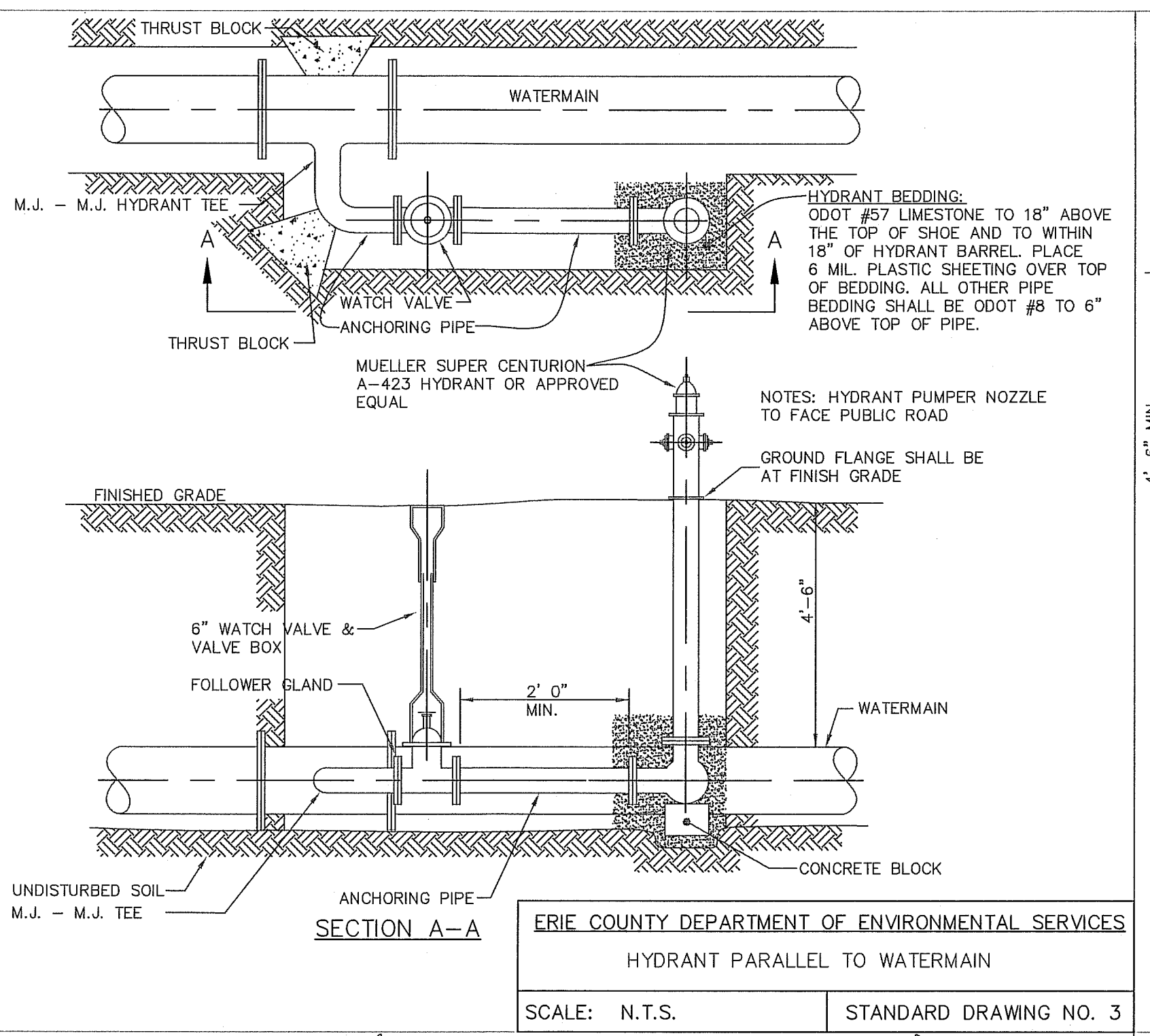


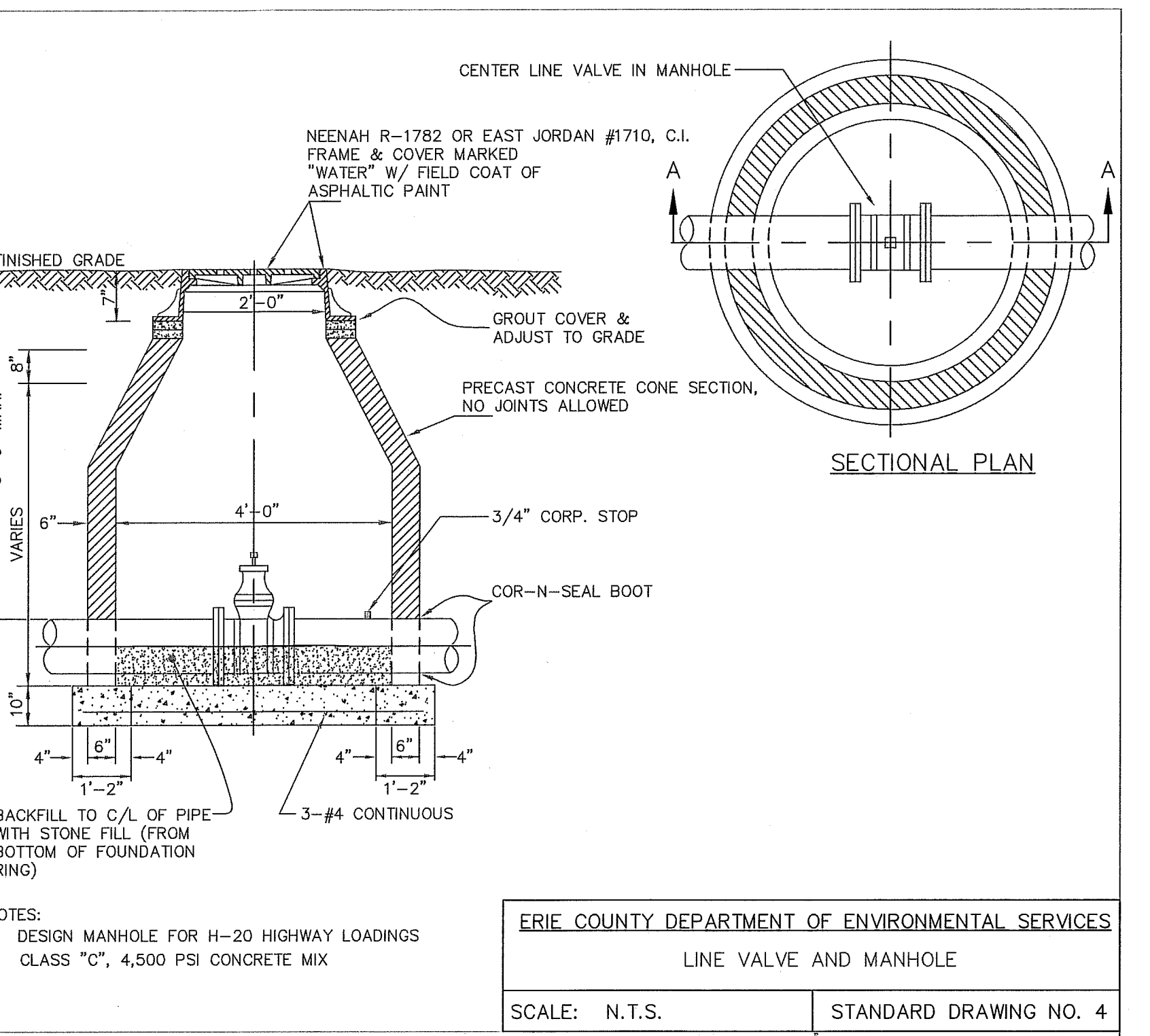
ERIE COUNTY DEPARTMENT OF ENVIRONMENTAL SERVICES
TYPICAL TRENCH SECTION FOR WATERMAIN INSTALLATION
SCALE: N.T.S. STANDARD DRAWING NO. 1



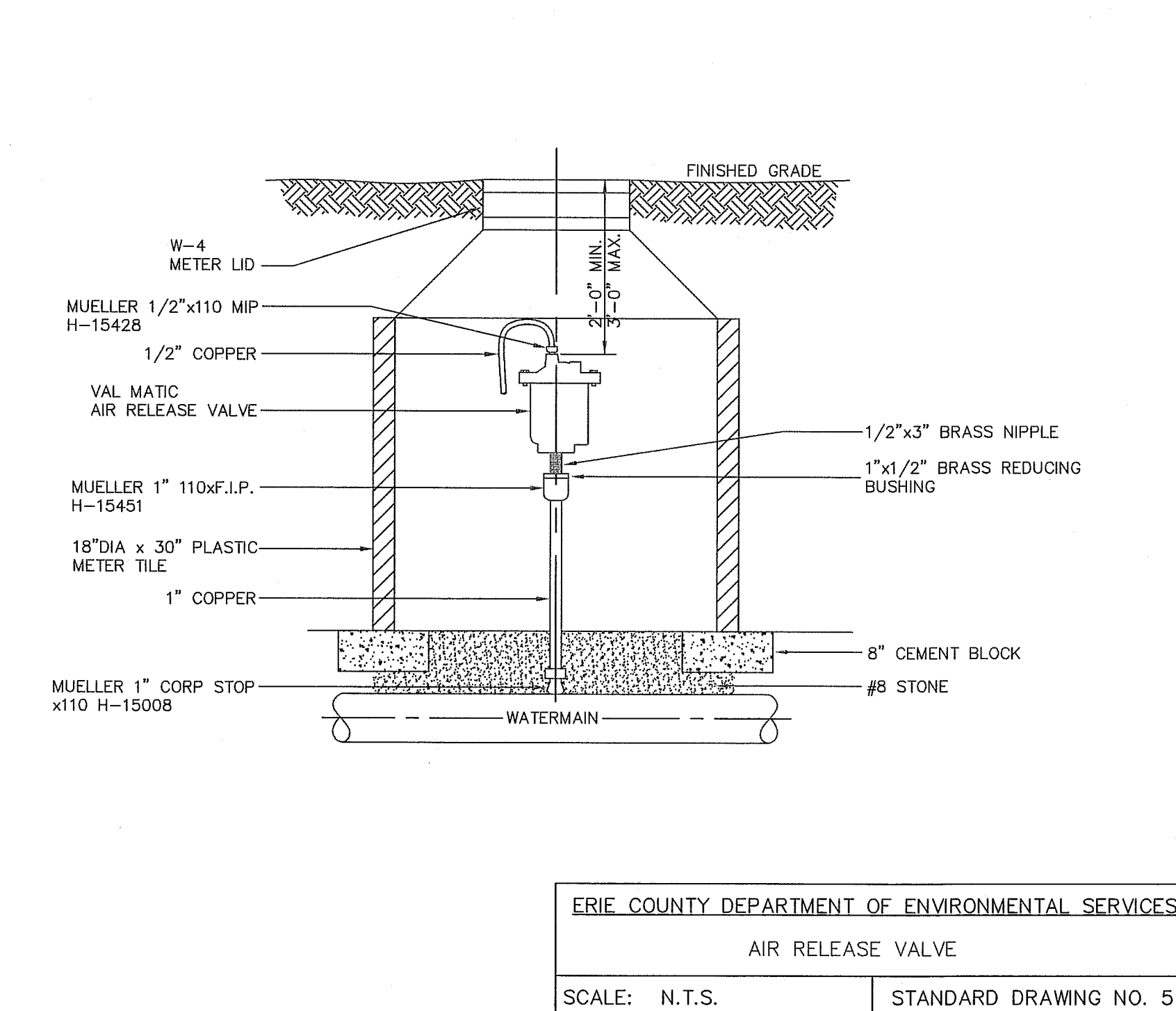
ERIE COUNTY DEPARTMENT OF ENVIRONMENTAL SERVICES
HYDRANT PERPENDICULAR TO WATERMAIN
SCALE: N.T.S. STANDARD DRAWING NO. 2



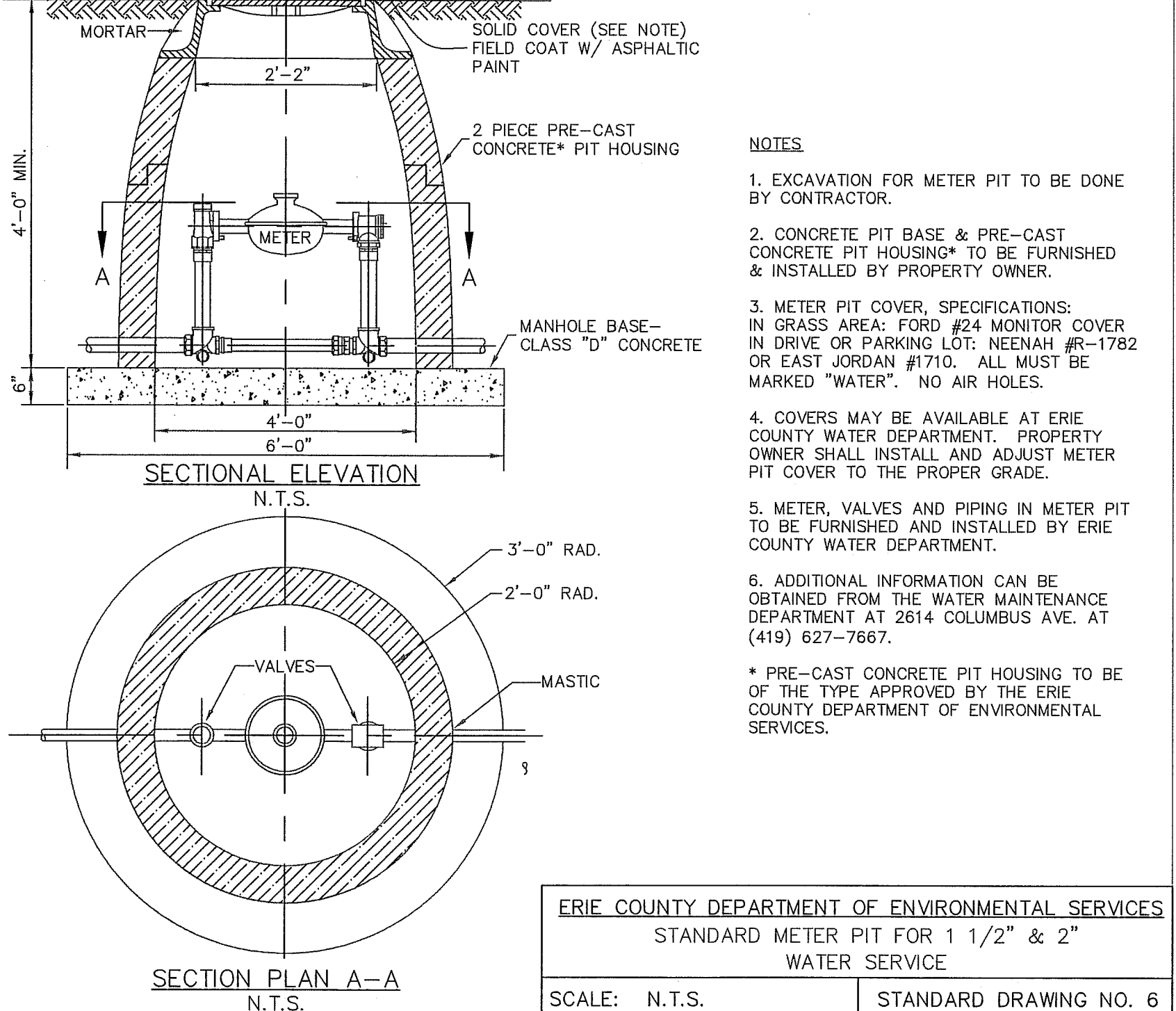
ERIE COUNTY DEPARTMENT OF ENVIRONMENTAL SERVICES
HYDRANT PARALLEL TO WATERMAIN
SCALE: N.T.S. STANDARD DRAWING NO. 3



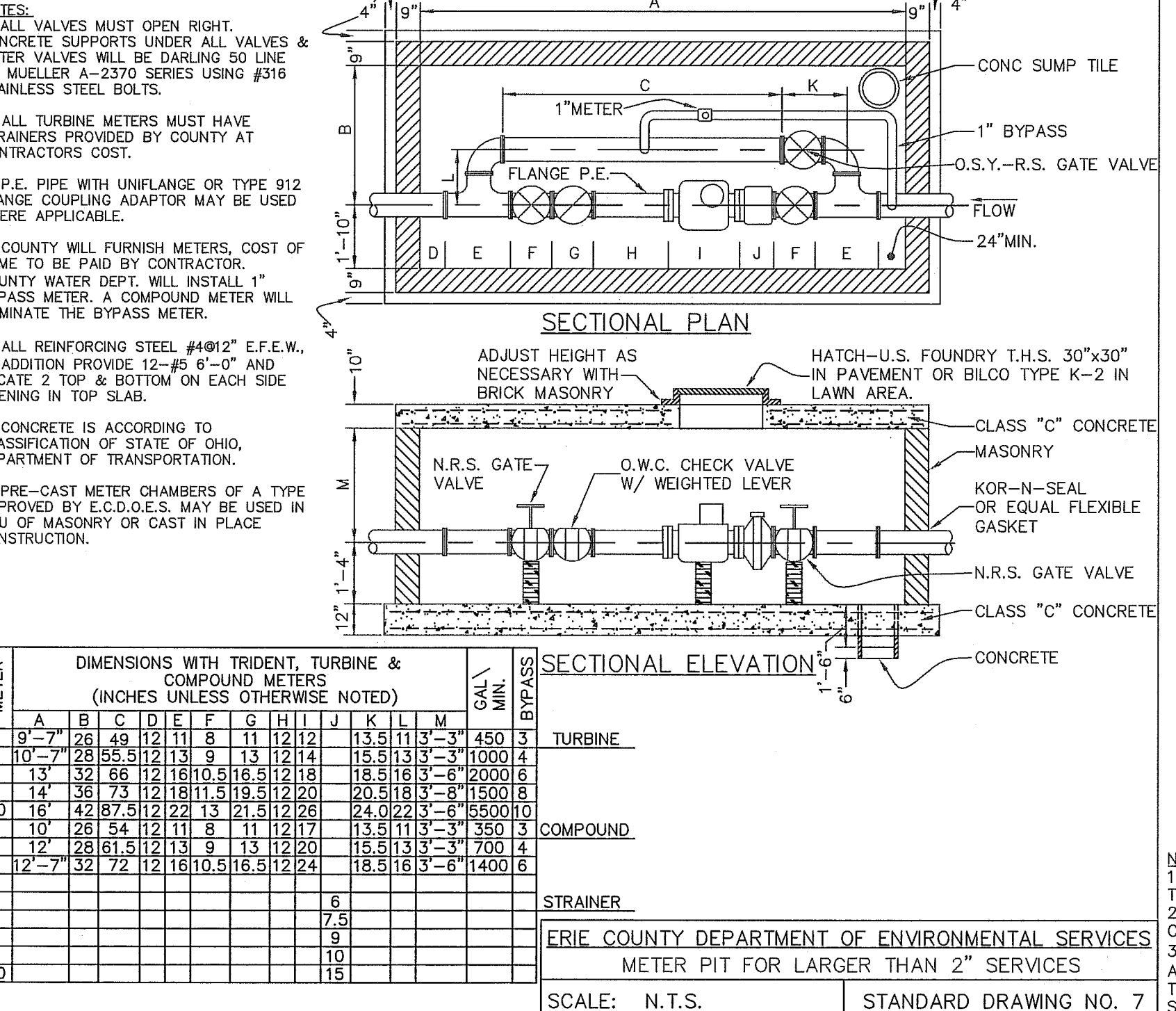
ERIE COUNTY DEPARTMENT OF ENVIRONMENTAL SERVICES
LINE VALVE AND MANHOLE
SCALE: N.T.S. STANDARD DRAWING NO. 4



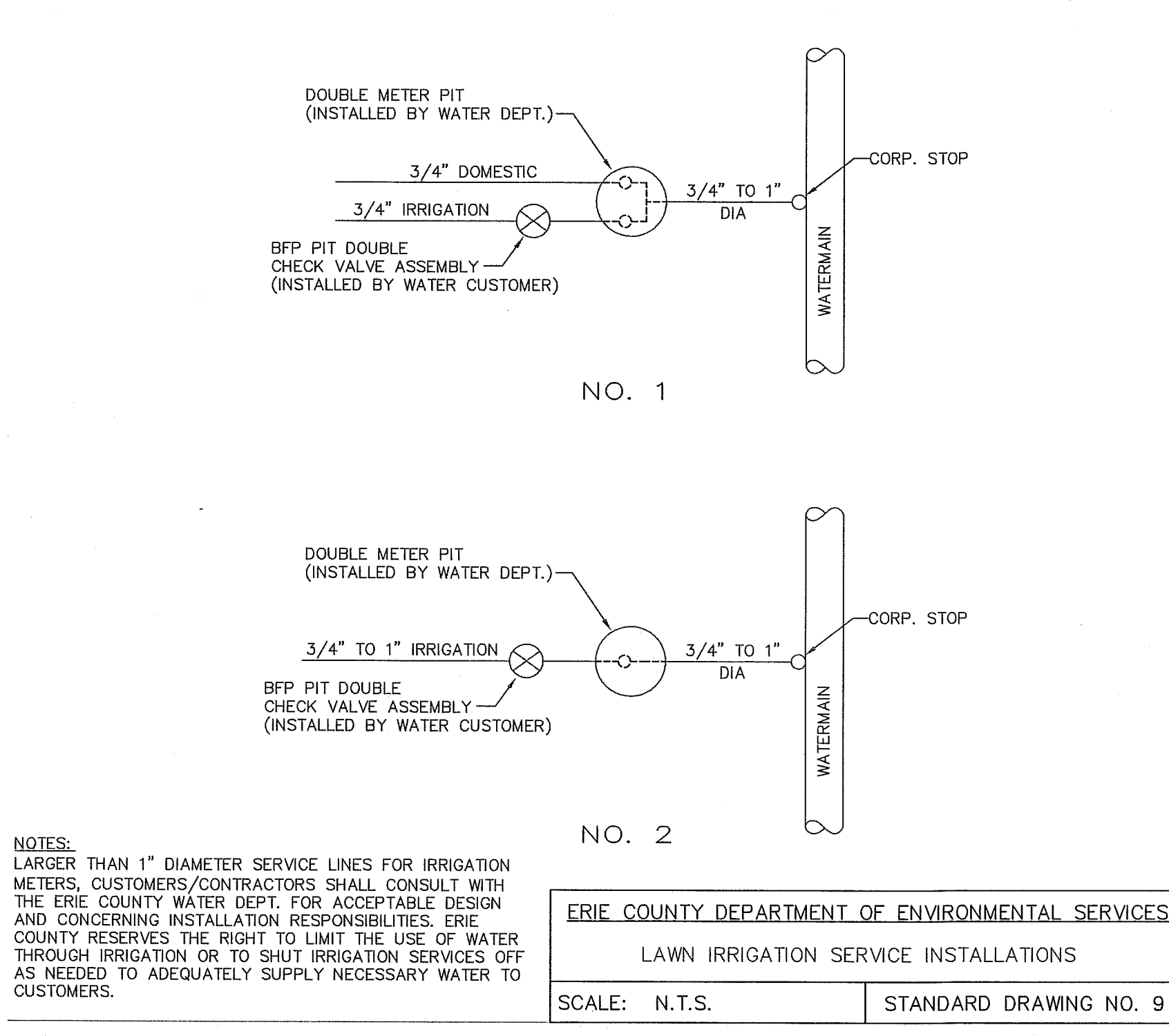
ERIE COUNTY DEPARTMENT OF ENVIRONMENTAL SERVICES
AIR RELEASE VALVE
SCALE: N.T.S. STANDARD DRAWING NO. 5



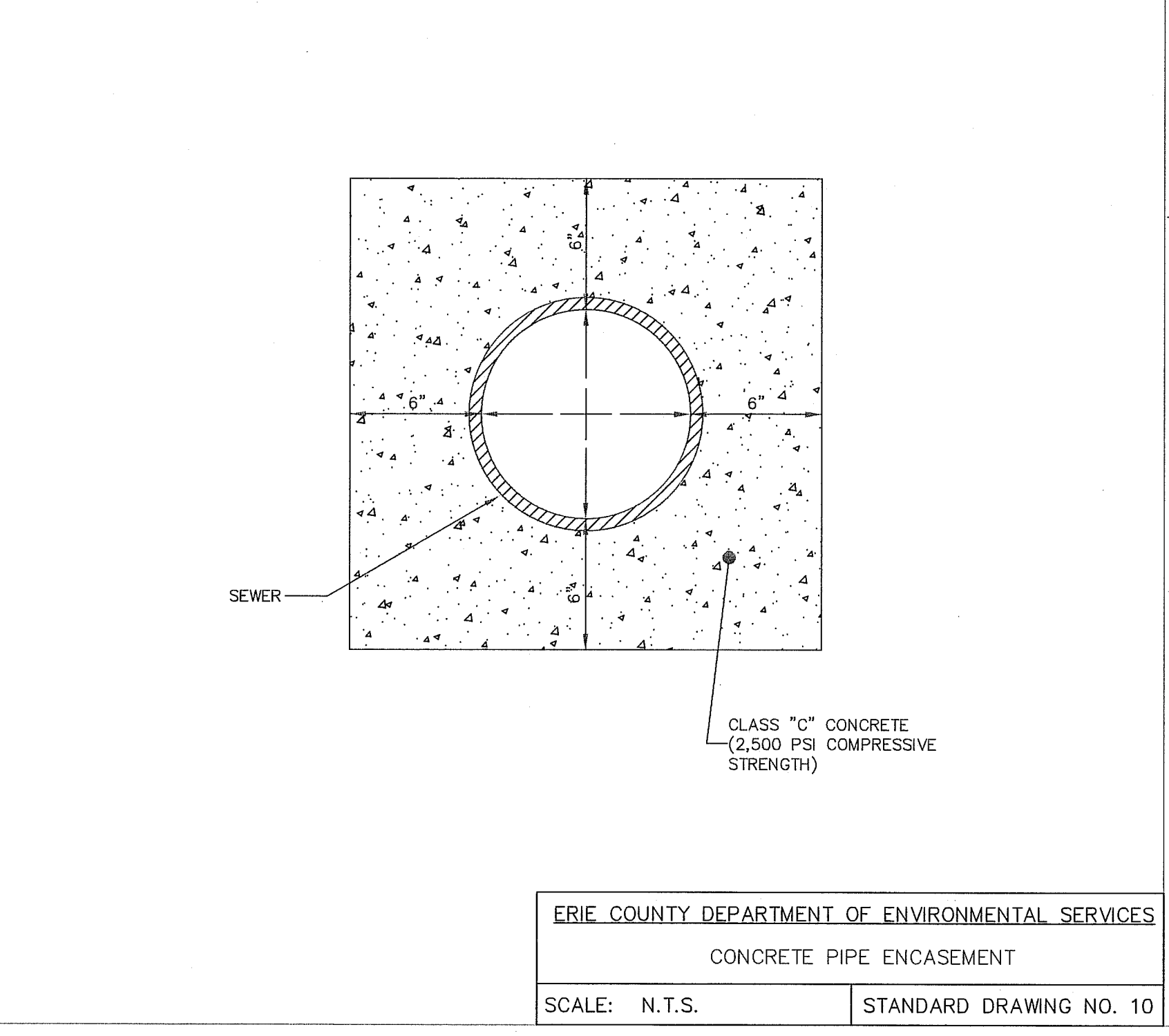
ERIE COUNTY DEPARTMENT OF ENVIRONMENTAL SERVICES
STANDARD METER PIT FOR 1 1/2" & 2" WATER SERVICE
SCALE: N.T.S. STANDARD DRAWING NO. 6



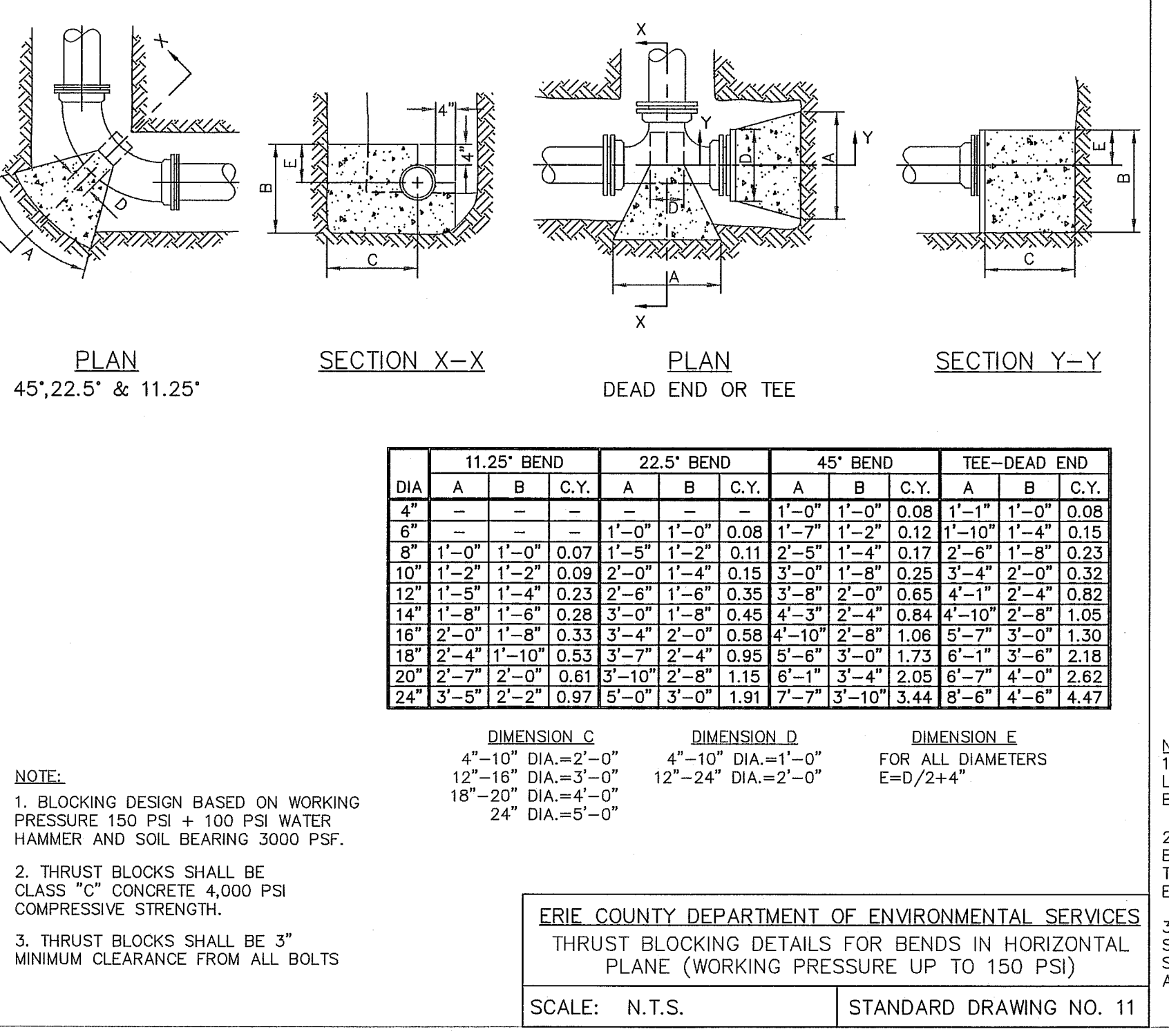
ERIE COUNTY DEPARTMENT OF ENVIRONMENTAL SERVICES
FIRE DETECT METER PIT
SCALE: N.T.S. STANDARD DRAWING NO. 8



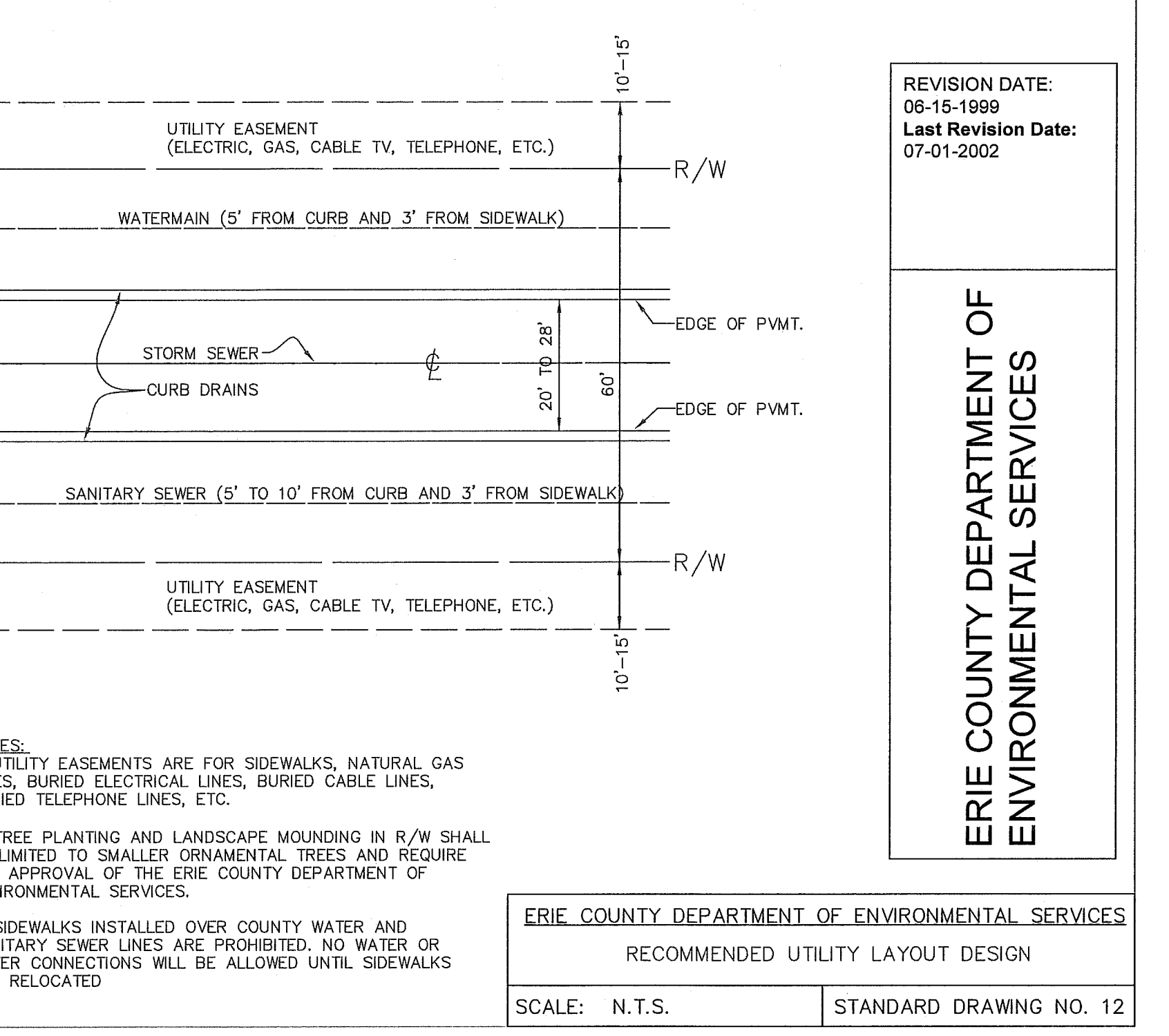
ERIE COUNTY DEPARTMENT OF ENVIRONMENTAL SERVICES
LAWN IRRIGATION SERVICE INSTALLATIONS
SCALE: N.T.S. STANDARD DRAWING NO. 9



ERIE COUNTY DEPARTMENT OF ENVIRONMENTAL SERVICES
CONCRETE PIPE ENCASEMENT
SCALE: N.T.S. STANDARD DRAWING NO. 10



ERIE COUNTY DEPARTMENT OF ENVIRONMENTAL SERVICES
THRUST BLOCKING DETAILS FOR BENDS IN HORIZONTAL PLANE (WORKING PRESSURE UP TO 150 PSI)
SCALE: N.T.S. STANDARD DRAWING NO. 11



ERIE COUNTY DEPARTMENT OF ENVIRONMENTAL SERVICES
RECOMMENDED UTILITY LAYOUT DESIGN
SCALE: N.T.S. STANDARD DRAWING NO. 12

REVISION DATE:
06-15-1989
Last Revision Date:
07-01-2002

ERIE COUNTY DEPARTMENT OF ENVIRONMENTAL SERVICES