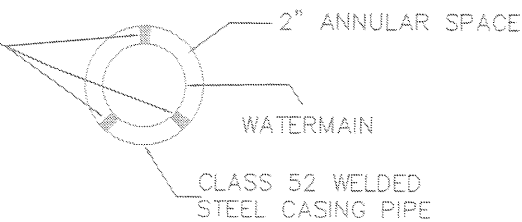


TYPICAL DRAWING FOR LOWERING W.M. @ NEW CULVERT PIPES

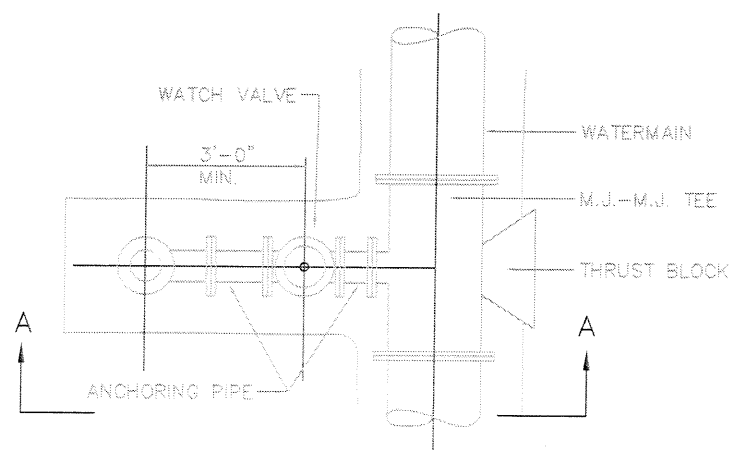
## ELEVATIONS FOR TOP OF CASNG PIPE

STATION	ELEVATION
110+50	602.0
127+25	608.0
185+25	595.0

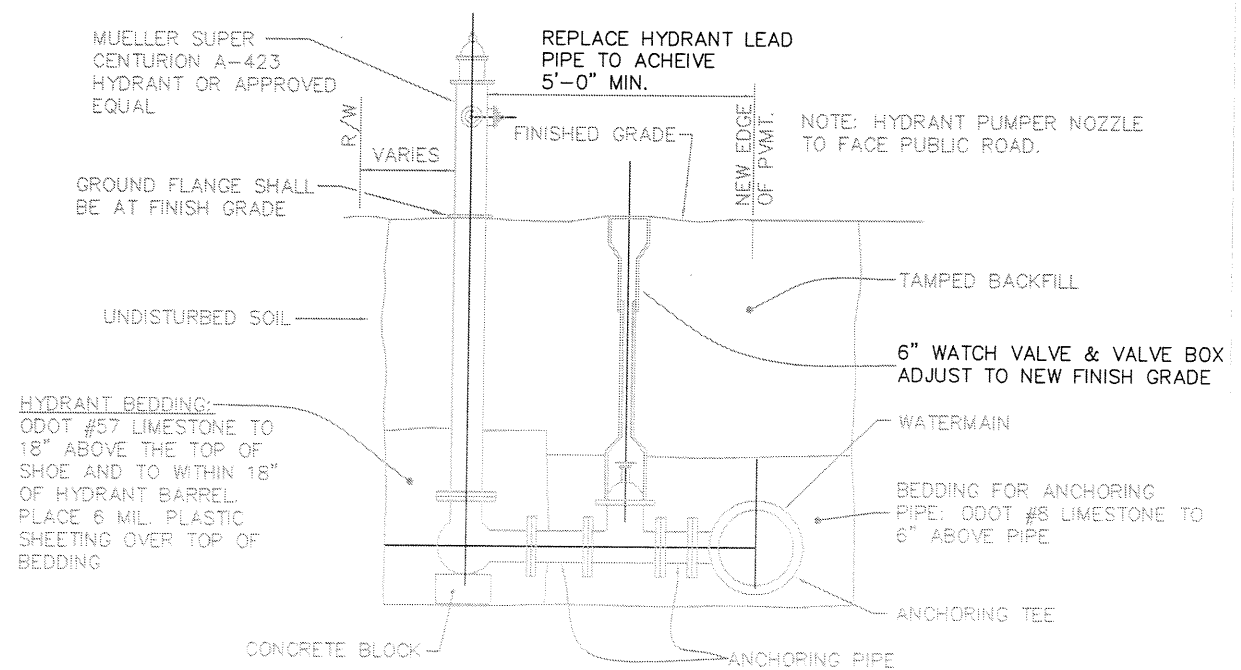
HARDWOOD BLOCKING HELD WITH STAINLESS STEEL STRAPPING SPACED EVERY 10'



TYPICAL BLOCKING



PLAN VIEW TYPICAL



PROFILE VIEW TYPICAL

NOTE: ANCHORING PIPE LENGTH BETWEEN VALVE AND HYDRANT SHALL BE AT LEAST 2'-0" IN LENGTH.

ERIE COUNTY DEPARTMENT OF ENVIRONMENTAL SERVICES		
CAMP ROAD WIDENING WATER LINE IMPROVEMENTS		
SCALE: N.T.S.	WAF	STANDARD DRAWING